

# FORECASTLE DECK

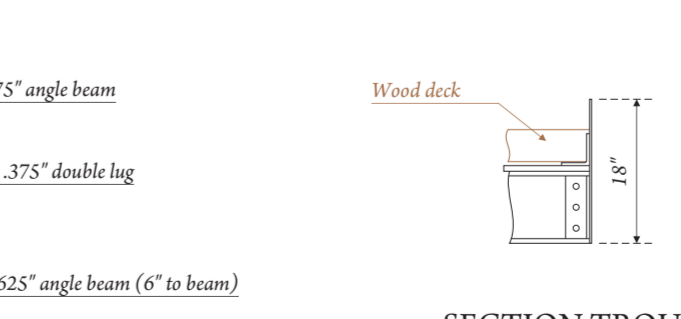
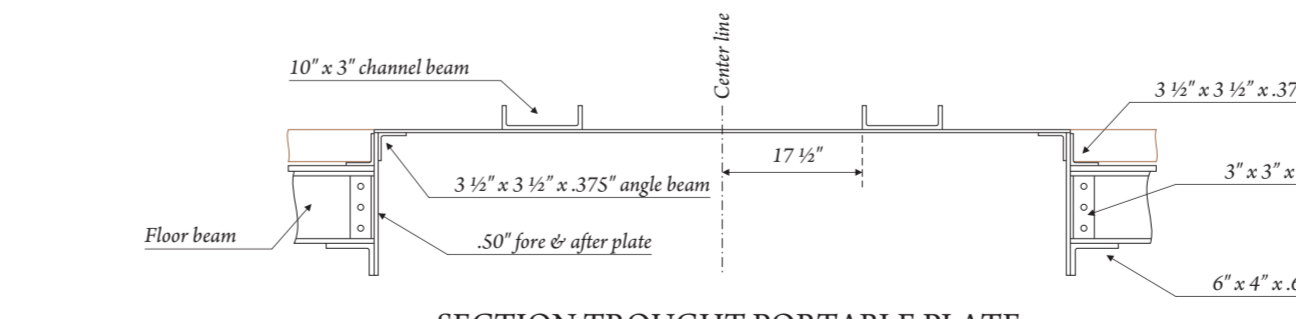
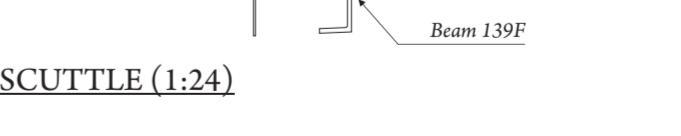
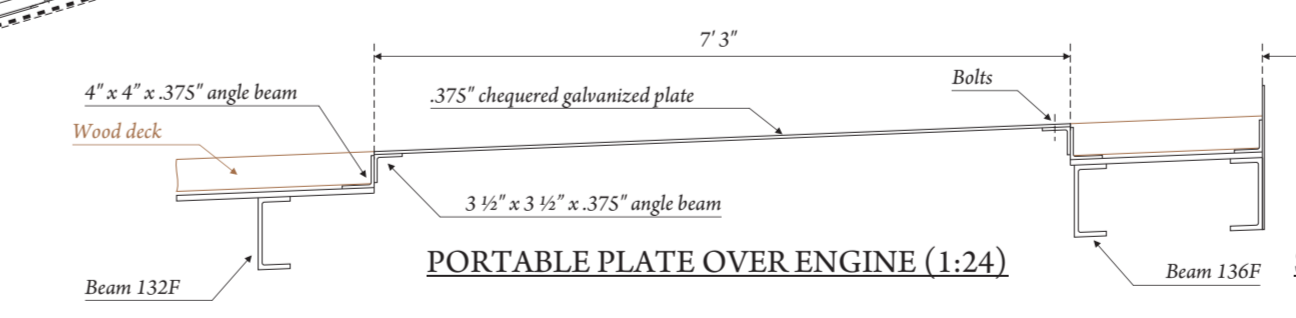
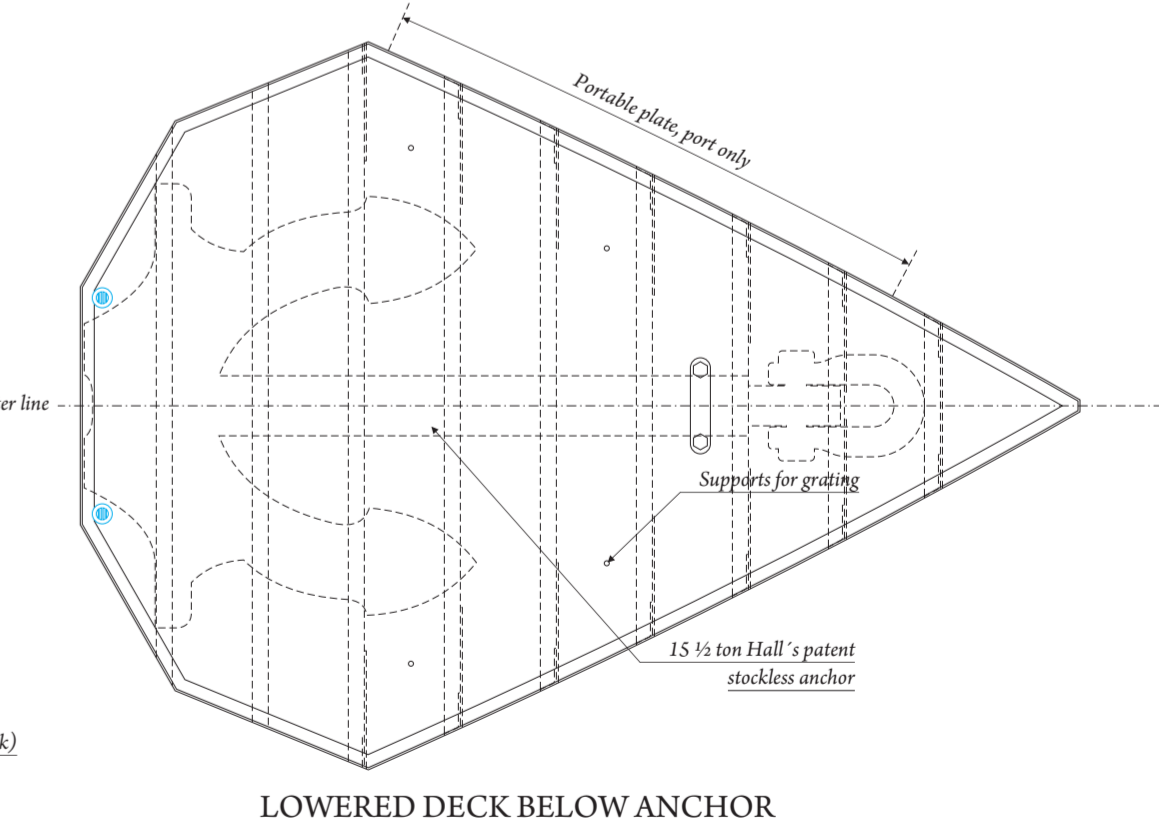
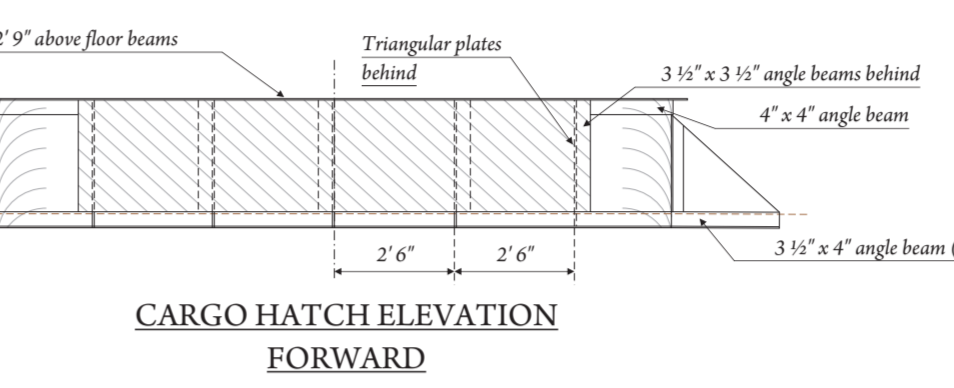
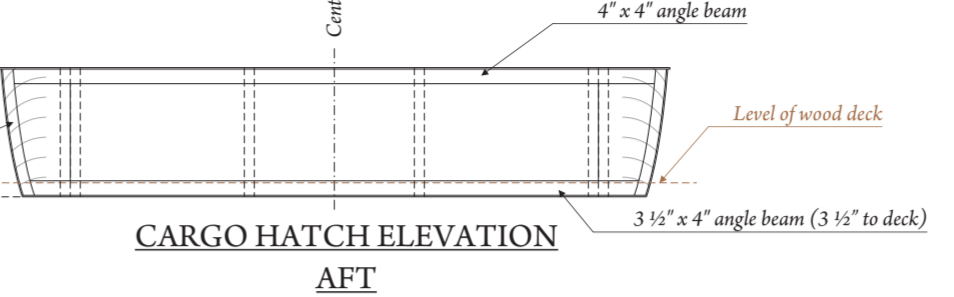
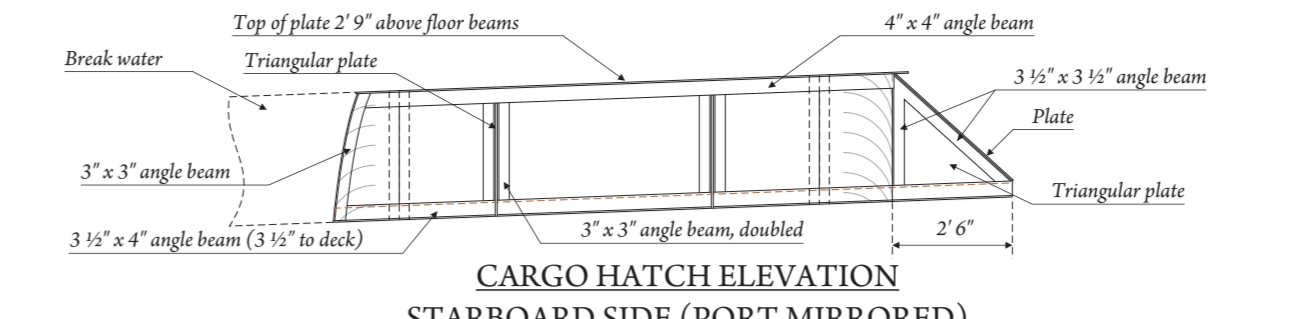
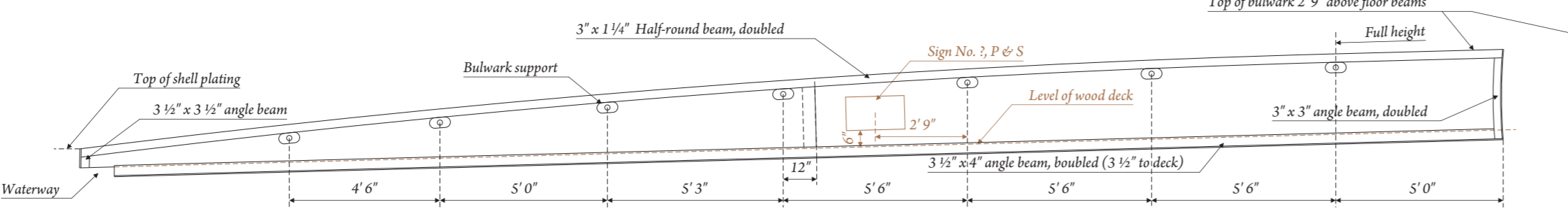
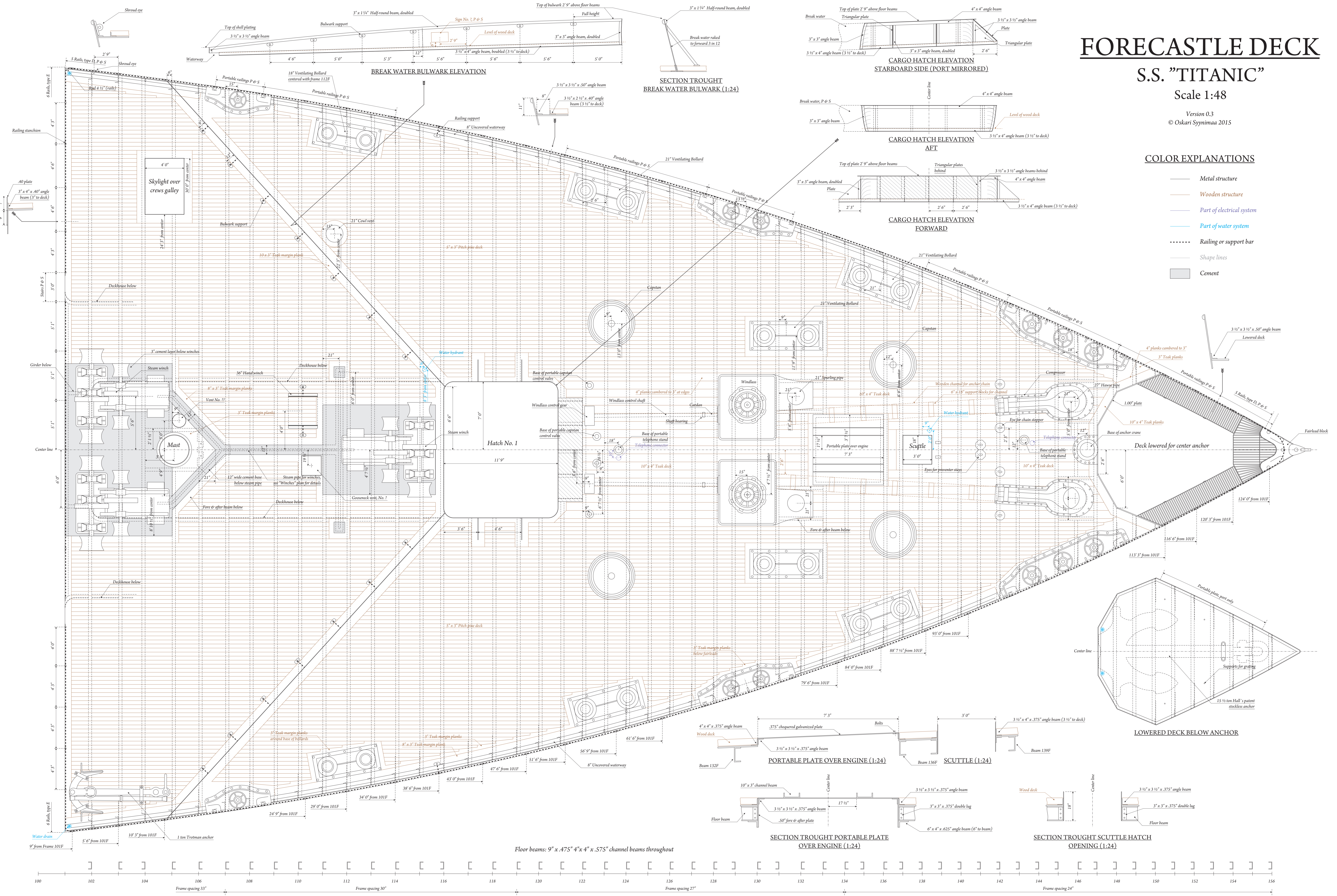
S.S. "TITANIC"

Scale 1:48

Version 0.3  
© Oskari Syyrimaa 2015

## COLOR EXPLANATIONS

- Metal structure
- Wooden structure
- Part of electrical system
- Part of water system
- Railing or support bar
- Shape lines
- Cement



Floor beams: 9" x .475" 4" x 4" x .575" channel beams throughout

